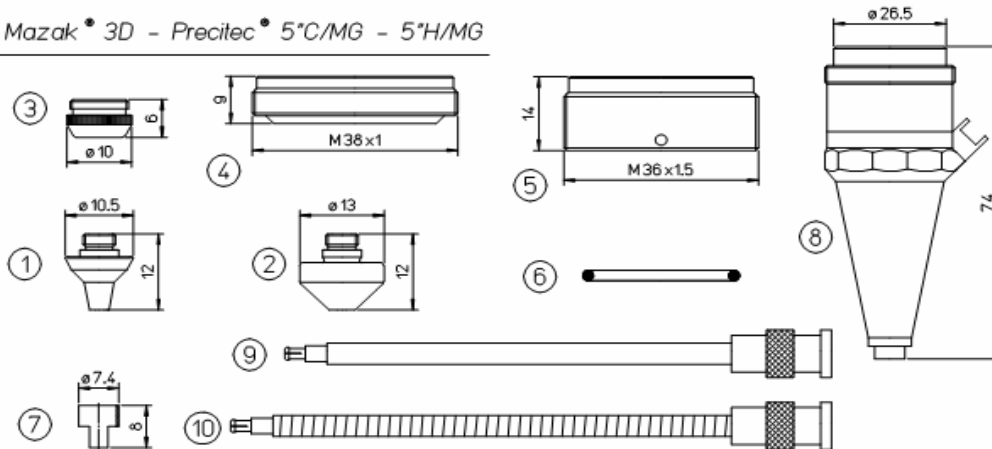


PRECITEC®
ADIGE® MAZAK® ESAB®



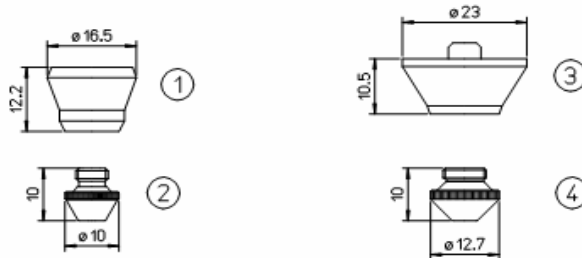
Picture #	Part Number	DESCRIPTION
1	281005-P0352-323-00010	MAZAK® NOZZLE Ø 1.0 ZK
	281005-P0352-323-00010	MAZAK® NOZZLE Ø 1.0 ZK
	281034-P0352-324-00012	MAZAK® NOZZLE Ø 1.2 ZK
	281034-P0352-324-00012	MAZAK® NOZZLE Ø 1.2 ZK
	281013-P0352-325-00015	MAZAK® NOZZLE Ø 1.5 ZK
	281013-P0352-325-00015	MAZAK® NOZZLE Ø 1.5 ZK
	280899-P0352-326-00018	MAZAK® NOZZLE Ø 1.8 ZK
	280899-P0352-326-00018	MAZAK® NOZZLE Ø 1.8 ZK
	350044.3-P0352-327-00020	MAZAK® NOZZLE Ø 2.0 ZK
	350044.3-P0352-327-00020	MAZAK® NOZZLE Ø 2.0 ZK
	P0352-328-00025	MAZAK® NOZZLE Ø 2.5 ZK
350044.3-P0352-327-00020	MAZAK® NOZZLE Ø 2.5 ZK	
2	281006-P0352-333-00010	MAZAK® NOZZLE Ø 1.0 KK
	281006-P0352-333-00010	MAZAK® NOZZLE Ø 1.0 KK
	281030-P0352.334.00012	MAZAK® NOZZLE Ø 1.2 KK
	281030-P0352.334.00012	MAZAK® NOZZLE Ø 1.2 KK
	281031-P0352.335.00015	MAZAK® NOZZLE Ø 1.5 KK
	281031-P0352.335.00015	MAZAK® NOZZLE Ø 1.5 KK
	280898-P0352.336.00018	MAZAK® NOZZLE Ø 1.8 KK
	280898-P0352.336.00018	MAZAK® NOZZLE Ø 1.8 KK
	P0352.336.00020	MAZAK® NOZZLE Ø 2.0 KK
	P0352.336.00020	MAZAK® NOZZLE Ø 2.0 KK

Mazak® 3D - Precitec® 5°C/MG - 5°H/MG



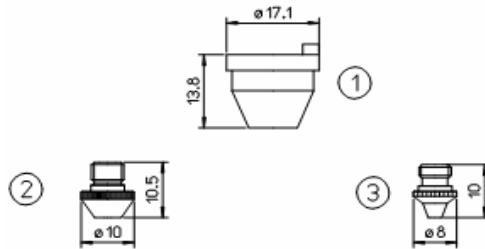
Picture #	Part Number	DESCRIPTION
	46713300290-10	MAZAK® NOZZLE 3D Ø 1.0
	46713300290-10	MAZAK® NOZZLE 3D Ø 1.0
	46713300290-12	MAZAK® NOZZLE 3D Ø 1.2

1	46713300290-12	MAZAK® NOZZLE 3D Ø 1.2
	46713300290-15-P0352-381-00015	MAZAK® NOZZLE 3D Ø 1.5
	46713300290-15-P0352-381-00015	MAZAK® NOZZLE 3D Ø 1.5
		MAZAK® NOZZLE 3D Ø 1.8
		MAZAK® NOZZLE 3D Ø 1.8
	46713300310-P0352-382-00020	MAZAK® NOZZLE 3D Ø 2.0
	46713300310-P0352-382-00020	MAZAK® NOZZLE 3D Ø 2.0
	46713300280-25	MAZAK® NOZZLE 3D Ø 2.5
	46713300280-25	MAZAK® NOZZLE 3D Ø 2.5
	46713300280-30	MAZAK® NOZZLE 3D Ø 3.0
	46713300280-30	MAZAK® NOZZLE 3D Ø 3.0
	46713300280-35	MAZAK® NOZZLE 3D Ø 3.5
	46713300280-35	MAZAK® NOZZLE 3D Ø 3.5
	2	
		MAZAK® NOZZLE Ø 1.0 2D
46713300310		MAZAK® NOZZLE Ø 1.2 2D
46713300310		MAZAK® NOZZLE Ø 1.2 2D
P0352-386-00015		MAZAK® NOZZLE Ø 1.5 2D
P0352-386-00015		MAZAK® NOZZLE Ø 1.5 2D
		MAZAK® NOZZLE Ø 1.8 2D
		MAZAK® NOZZLE Ø 1.8 2D
46713300300-P0352-387-00020		MAZAK® NOZZLE Ø 2.0 2D
46713300300-P0352-387-00020		MAZAK® NOZZLE Ø 2.0 2D
46713300300-25		MAZAK® NOZZLE Ø 2.5 2D
46713300300-25		MAZAK® NOZZLE Ø 2.5 2D
46713300300-30		MAZAK® NOZZLE Ø 3.0 2D
46713300300-30		MAZAK® NOZZLE Ø 3.0 2D
3	46713300321-P0352-311-00001	MAZAK® VESPEL NUT - SPACE GEAR
4	PO492-702-00001	PRECITEC® INSULATING RING - plastic
5	46713330200	MAZAK® 5-AXIS INSULATOR
6	71366453	AMADA® O'RING FOR NOZZLE OUTER
7		PRECITEC® INSULATOR COLLAR
8	PO354-130-00001	PRECITEC® ORIG. NOZZLE BODY SE M1.5 HN Z/M
	PO354-110-00001/00002	MAZAK® ORIG. NOZZLE BODY SE M1,5" HN Z - WATER COOLED
9	PO360-100-00500 - 46713300100	PRECITEC® ORIG. SENSOR CABLE KE 500 Z
10	281386 P0360-155-00500	MAZAK® ELECTRODE CABLE



5"K SENSOR SYSTEM		
1	280040 - P0492-752-00001	PRECITEC® ORIG. NOZZLE HOLDER KT M1.5" K
2	280048-P0492-853-00010	PRECITEC® NOZZLE Ø 1.0
	280048-P0492-853-00010	PRECITEC® NOZZLE Ø 1.0
	280049-P0492-854-00012	PRECITEC® NOZZLE Ø 1.2
	280049-P0492-854-00012	PRECITEC® NOZZLE Ø 1.2
	280050-P0492-855-00015	PRECITEC® NOZZLE Ø 1.5
	280050-P0492-855-00015	PRECITEC® NOZZLE Ø 1.5

	280050	PRECITEC® NOZZLE Ø 2.0
	280050	PRECITEC® NOZZLE Ø 2.0
2.5"CM SENSOR SYSTEM		
3	281079-P0492-430-00003-W149	PRECITEC® ORIG. NOZZLE HOLDER KT M1.5" S F2.5
4	280013-P0492-441-00008	PRECITEC® FP NOZZLE Ø 0.8
	280013-P0492-441-00008	PRECITEC® FP NOZZLE Ø 0.8
	280014-P0492-442-00010-W223	PRECITEC® FP NOZZLE Ø 1.0
	280014-P0492-442-00010-W223	PRECITEC® FP NOZZLE Ø 1.0
	280015-P0492-443-00012	PRECITEC® FP NOZZLE Ø 1.2
	280015-P0492-443-00012	PRECITEC® FP NOZZLE Ø 1.2
	280016-P0492-444-00015-W224	PRECITEC® FP NOZZLE Ø 1.5
	280016-P0492-444-00015-W224	PRECITEC® FP NOZZLE Ø 1.5
	P0492-447-00018	PRECITEC® FP NOZZLE Ø 1.8
	P0492-447-00018	PRECITEC® FP NOZZLE Ø 1.8
	280937-P0492-445-00020-W225	PRECITEC® FP NOZZLE Ø 2.0
	280937-P0492-445-00020-W225	PRECITEC® FP NOZZLE Ø 2.0
	P0492-448-00023	PRECITEC® FP NOZZLE Ø 2.3
	P0492-448-00023	PRECITEC® FP NOZZLE Ø 2.3
	281791-P0492-446-00025-W226	PRECITEC® FP NOZZLE Ø 2.5
	281791-P0492-446-00025-W226	PRECITEC® FP NOZZLE Ø 2.5
		PRECITEC® FP NOZZLE Ø 3.0
	PRECITEC® FP NOZZLE Ø 3.0	

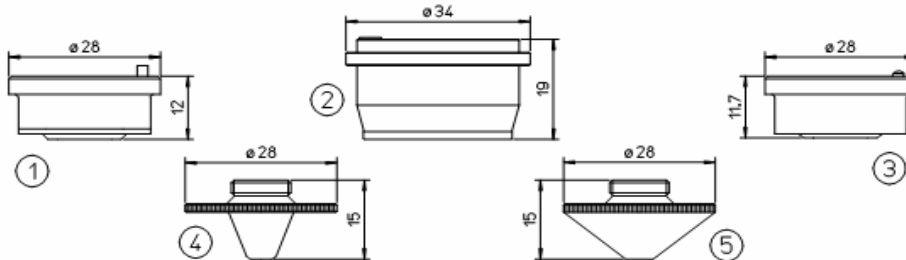


Picture #	Part Number	DESCRIPTION
5"KN SENSOR SYSTEM		
1	280408-092405	TRUMPF® ORIG. NOZZLE HOLDER KT M1.5" KN
2	280551-P0494-853-00010	PRECITEC® NOZZLE Ø 1.0
	280551-P0494-853-00010	PRECITEC® NOZZLE Ø 1.0
	280552-P0494-854-00012	PRECITEC® NOZZLE Ø 1.2
	280552-P0494-854-00012	PRECITEC® NOZZLE Ø 1.2
	280553-P0494-855-00015	PRECITEC® NOZZLE Ø 1.5
	280553-P0494-855-00015	PRECITEC® NOZZLE Ø 1.5
	280554-P0494-855-00017	PRECITEC® NOZZLE Ø 1.7
	280553-P0494-855-00015	PRECITEC® NOZZLE Ø 1.7
	280555-P0494-855-00020	PRECITEC® NOZZLE Ø 2.0
280553-P0494-855-00015	PRECITEC® NOZZLE Ø 2.0	
3	280943-P0494-787-00010	PRECITEC® NOZZLE Ø 1.0 KN TAK
	280943-P0494-787-00010	PRECITEC® NOZZLE Ø 1.0 KN TAK
	280942-P0494-788-00012	PRECITEC® NOZZLE Ø 1.2 KN TAK
	280942-P0494-788-00012	PRECITEC® NOZZLE Ø 1.2 KN TAK
	280941-P0494-789-00015	PRECITEC® NOZZLE Ø 1.5 KN TAK
	280941-P0494-789-00015	PRECITEC® NOZZLE Ø 1.5 KN TAK
		PRECITEC® NOZZLE Ø 1.8 KN TAK
		PRECITEC® NOZZLE Ø 1.8 KN TAK
		PRECITEC® NOZZLE Ø 2.0 KN TAK
	PRECITEC® NOZZLE Ø 2.0 KN TAK	

PRECITEC®

ADIGE®.ADIRA®.BALLIU®.CR ELECTRONIC®.ESAB®.FINN-POWER®.

GHT®.LASERMAK®.RAINER®.SALVAGNINI®.

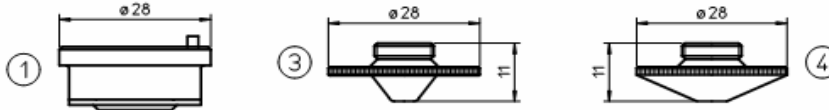


Picture #	Part Number	DESCRIPTION
1	281330-P0571-260-00001	PRECITEC® ORIG. NOZZLE HOLDER KT B2"
	281330-P0571-260-00001	PRECITEC® NOZZLE HOLDER KT B2" WITH CHAMFER
	281330 - P0571-260-00001	PRECITEC® NOZZLE HOLDER KT B2" FLAT PLATE
2		CR ELECTRONIC® NOZZLE HOLDER
3	281518-PO571-265-00001	PRECITEC® ORIG. NOZZLE HOLDER IT B2" Z
4	281590-P0591-569-00008	PRECITEC® NOZZLE Ø 0.8
	281331-P0591-561-00010	PRECITEC® NOZZLE Ø 1.0
	281351-P0591-562-00012	PRECITEC® NOZZLE Ø 1.25
	281352-P0591-563-00015	PRECITEC® NOZZLE Ø 1.5
		PRECITEC® NOZZLE Ø 1.7
	281352-P0591-564-00018	PRECITEC® NOZZLE Ø 1.8
	281354-P591-565-00020	PRECITEC® NOZZLE Ø 2.0
		PRECITEC® NOZZLE Ø 2.3
	281591-P0591-566-00025	PRECITEC® NOZZLE Ø 2.5
		PRECITEC® NOZZLE Ø 3.0
	281590-P0591-569-00008	PRECITEC® NOZZLE Ø 0.8 CP
	281331-P0591-561-00010	PRECITEC® NOZZLE Ø 1.0 CP
	281351-P0591-562-00012	PRECITEC® NOZZLE Ø 1.25 CP
	281352-P0591-563-00015	PRECITEC® NOZZLE Ø 1.5 CP
		PRECITEC® NOZZLE Ø 1.7 CP
	281352-P0591-564-00018	PRECITEC® NOZZLE Ø 1.8 CP
	281354-P591-565-00020	PRECITEC® NOZZLE Ø 2.0 CP
		PRECITEC® NOZZLE Ø 2.3 CP
	281591-P0591-566-00025	PRECITEC® NOZZLE Ø 2.5 CP
		PRECITEC® NOZZLE Ø 3.0 CP
5	281548-P0591-571-00010	PRECITEC® NOZZLE Ø 1.0 HD
	281549-P0591-572-00012	PRECITEC® NOZZLE Ø 1.25 HD
	281463-P0591-573-00015	PRECITEC® NOZZLE Ø 1.5 HD
		PRECITEC® NOZZLE Ø 1.8 HD
	281550-P0591-575-00020	PRECITEC® NOZZLE Ø 2.0 HD
		PRECITEC® NOZZLE Ø 2.3 HD
	281551-P0591-576-00025	PRECITEC® NOZZLE Ø 2.5 HD
		PRECITEC® NOZZLE Ø 2.75 HD
		PRECITEC® NOZZLE Ø 3.0 HD
	281548-P0591-571-00010	PRECITEC® NOZZLE Ø 1.0 HD CP
	281549-P0591-572-00012	PRECITEC® NOZZLE Ø 1.25 HD CP

281463-P0591-573-00015	PRECITEC® NOZZLE Ø 1.5 HD CP
	PRECITEC® NOZZLE Ø 1.8 HD CP
281550-P0591-575-00020	PRECITEC® NOZZLE Ø 2.0 HD CP
	PRECITEC® NOZZLE Ø 2.3 HD CP
281551-P0591-576-00025	PRECITEC® NOZZLE Ø 2.5 HD CP
	PRECITEC® NOZZLE Ø 2.75 HD CP
	PRECITEC® NOZZLE Ø 3.0 HD CP

PRECITEC®

ADIGE® .BALLIU® .CR ELECTRONIC® .ESAB® .FINN-POWER® .GHT® .SALVAGNINI®

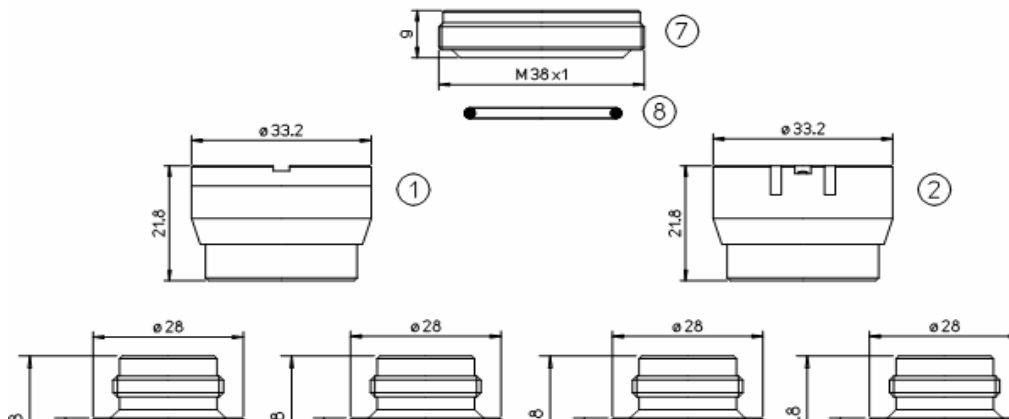


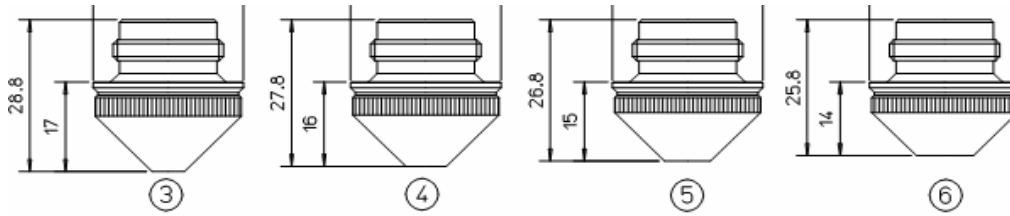
Picture #	Part Number	DESCRIPTION
1	281330-P0571-260-00001	PRECITEC® ORIG. NOZZLE HOLDER KT B2"
	281330-P0571-260-00001	PRECITEC® NOZZLE HOLDER KT B2" WITH CHAMFER
	281330 - P0571-260-00001	PRECITEC® NOZZLE HOLDER KT B2" FLAT PLATE
3	281340-P0571-281-00010	PRECITEC® NOZZLE Ø 1.0
	281341-P0571-282-00012	PRECITEC® NOZZLE Ø 1.2
	281342-P0571-283-00015	PRECITEC® NOZZLE Ø 1.5
	281342-P0571-284-00018	PRECITEC® NOZZLE Ø 1.8
	281343-P0571-285-00020	PRECITEC® NOZZLE Ø 2.0
	281344-P0571-286-00025	PRECITEC® NOZZLE Ø 2.5
4	281599-P0571-291-00010	PRECITEC® NOZZLE Ø 1.0
	P0571-292-00012	PRECITEC® NOZZLE Ø 1.2
	281570-P0571-293-00015	PRECITEC® NOZZLE Ø 1.5
		PRECITEC® NOZZLE Ø 1.8
	281571-P0571-295-00020	PRECITEC® NOZZLE Ø 2.0
	281572-P0571-297-00025	PRECITEC® NOZZLE Ø 2.5

PRECITEC®

ADIGE® BALLIU® ESAB® FINN-POWER®

5" DXN - 5" DL SENSOR SYSTEM





Picture #	Part Number	DESCRIPTION
1	280565-P0497-605-00001	PRECITEC® ORIG. NOZ. HOLDER KT M1.5"DXN - CERAMIC
2	281146-PO380-211-00001	PRECITEC® ORIG. NOZ. HOLDER IT M1.5" DZ - ALUMINUM
	281146-PO380-211-00001	PRECITEC® NOZZLE HOLDER IT M1.5" DZ - ALUMINUM
3	280029-P0492-628-00010	PRECITEC® NOZZLE Ø 1.0
	280030-P0492-629-00012	PRECITEC® NOZZLE Ø 1.2
4	280028-P0492-627-00015	PRECITEC® NOZZLE Ø 1.5
5	281384-P0492-630-00017	PRECITEC® NOZZLE Ø 1.7
	280027-P0492-626-00020	PRECITEC® NOZZLE Ø 2.0
6	280026-P0492-625-00025	PRECITEC® NOZZLE Ø 2.5
7	PO492-702-00002	PRECITEC® INSULATING RING
8	71366453	AMADA® O'RING FOR NOZZLE OUTER